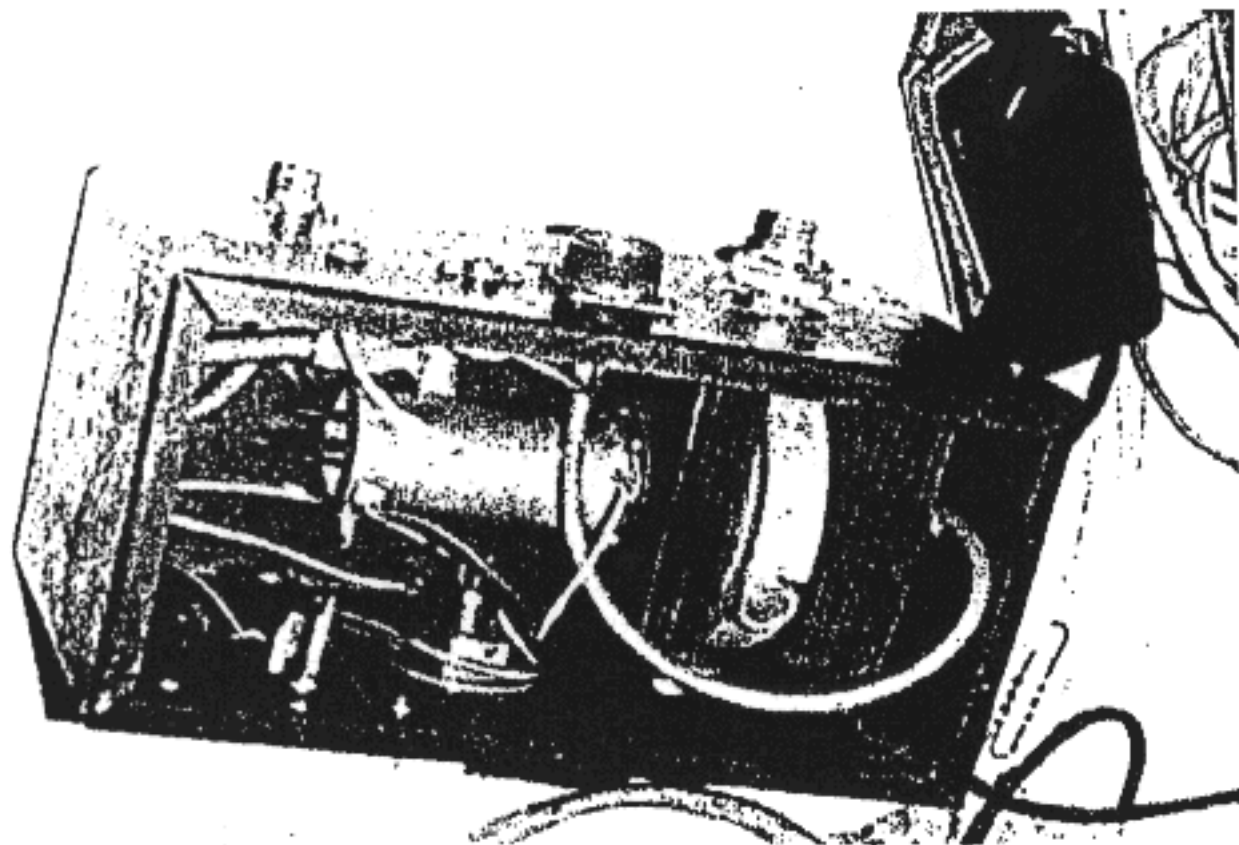


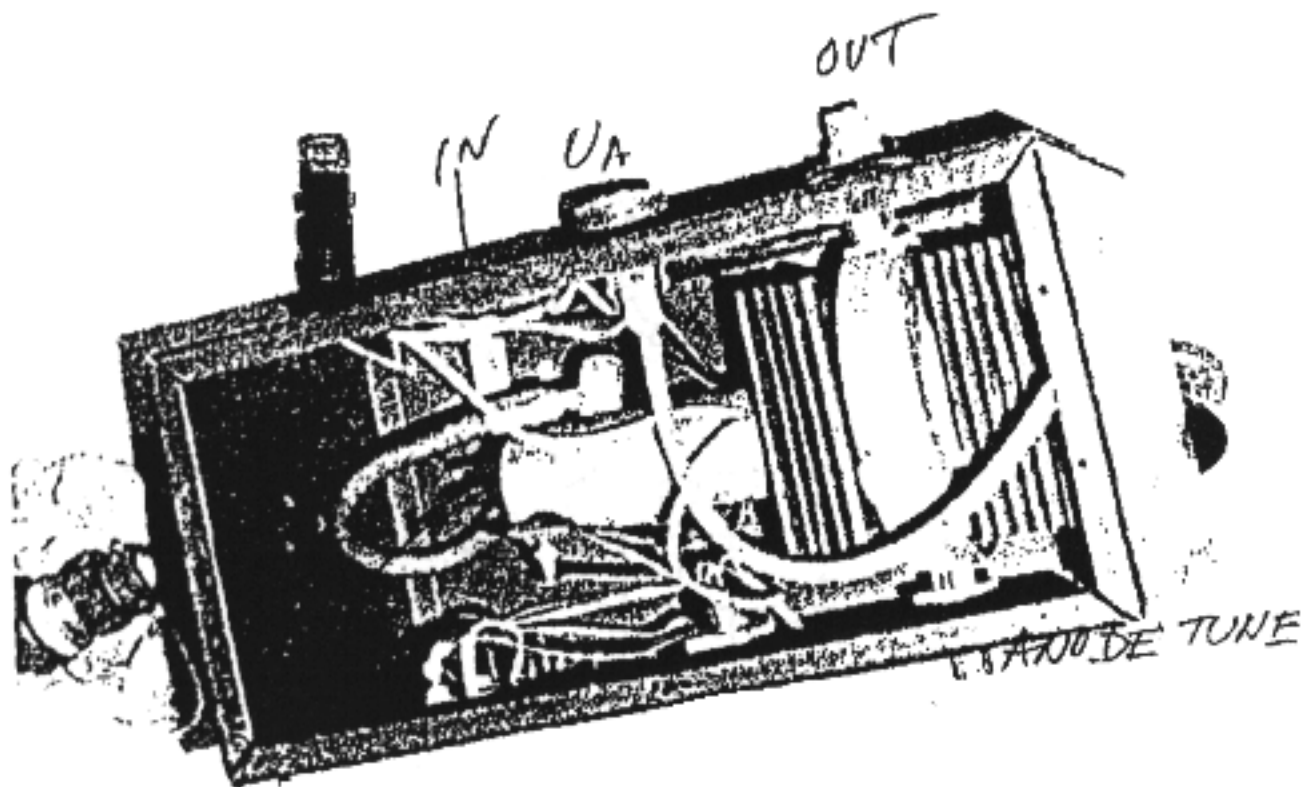
1 OF 8

OK1K1R

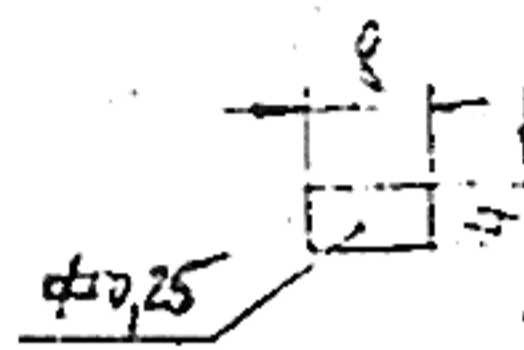
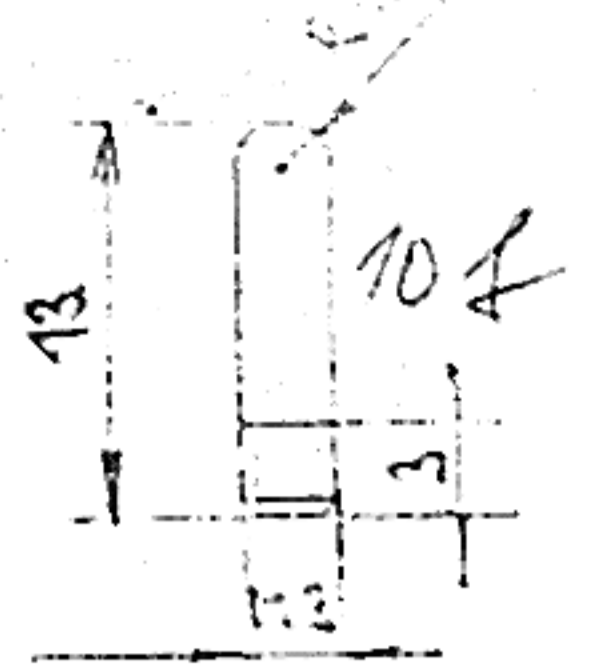
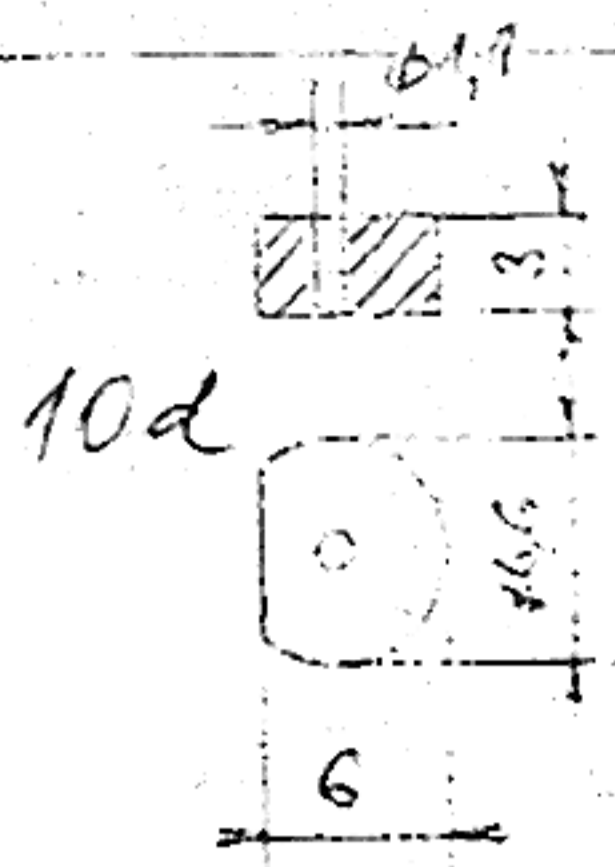
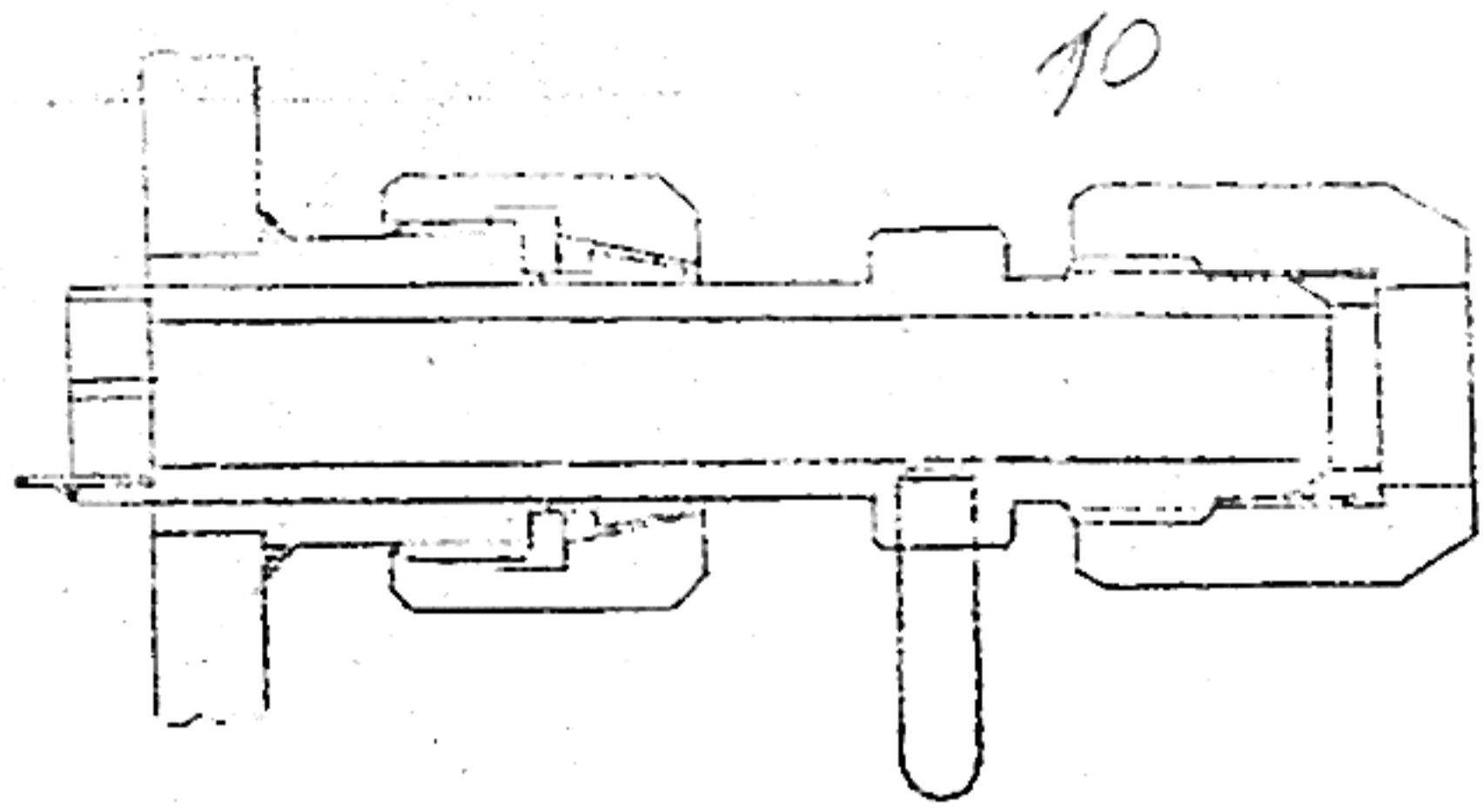
NEW VERSION (NOT
2304 PA LAST)
G17B



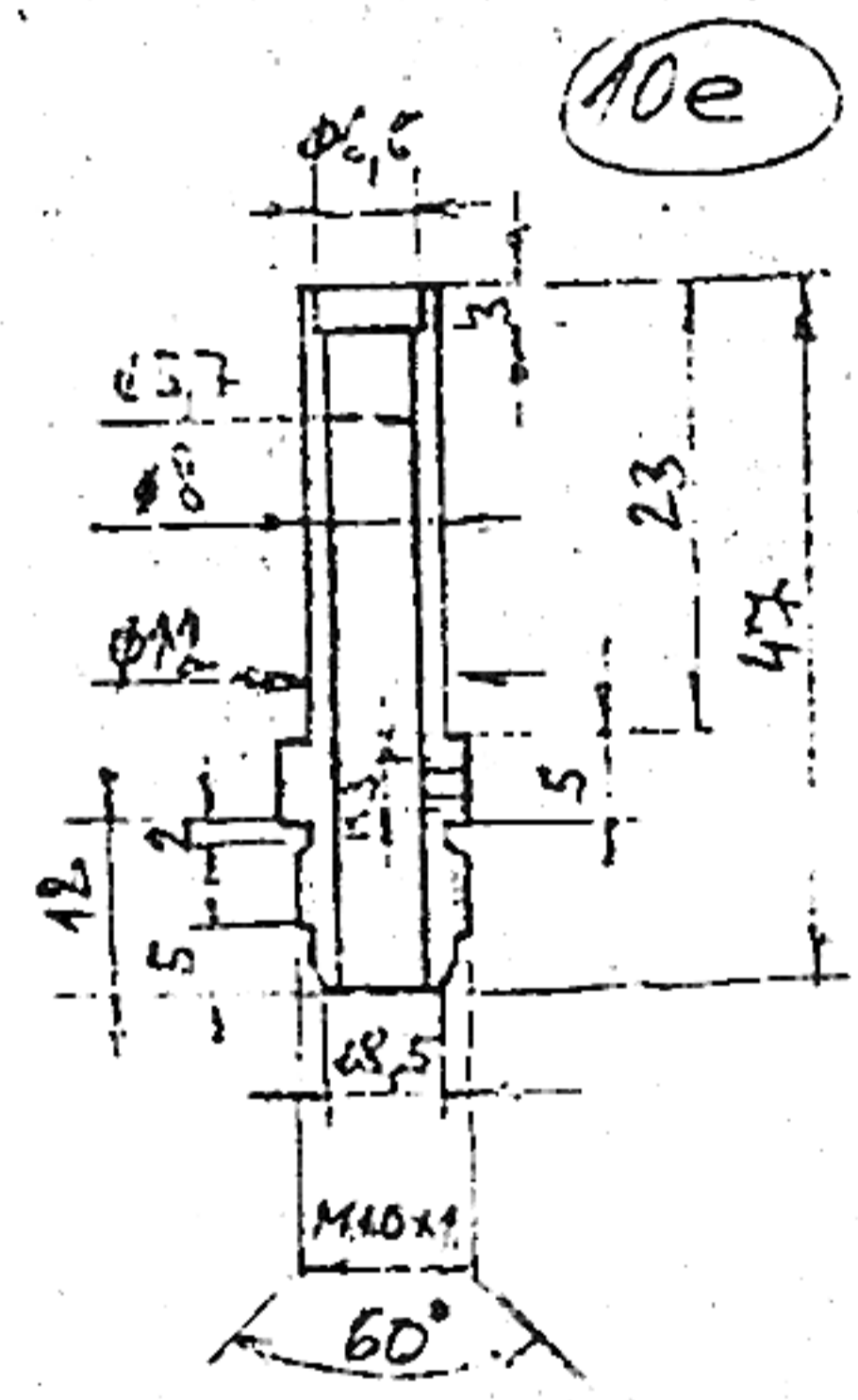
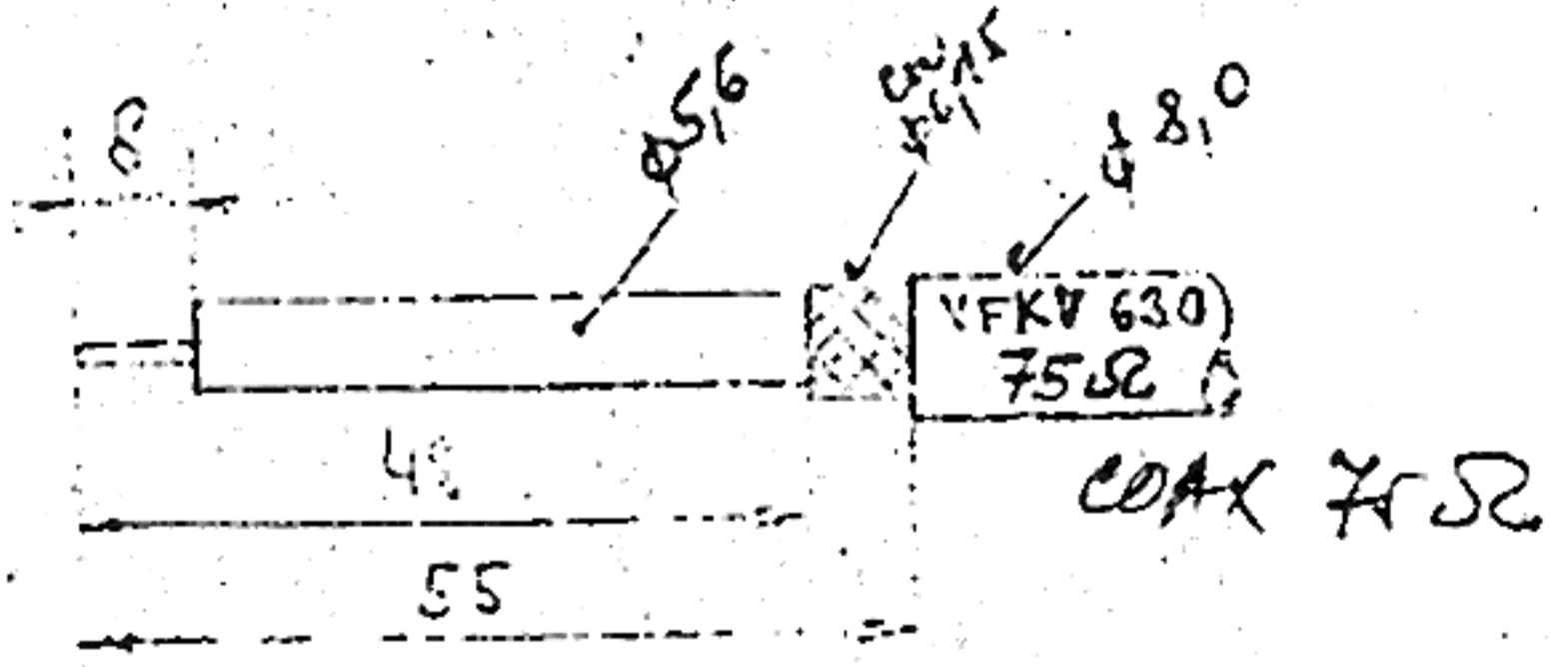
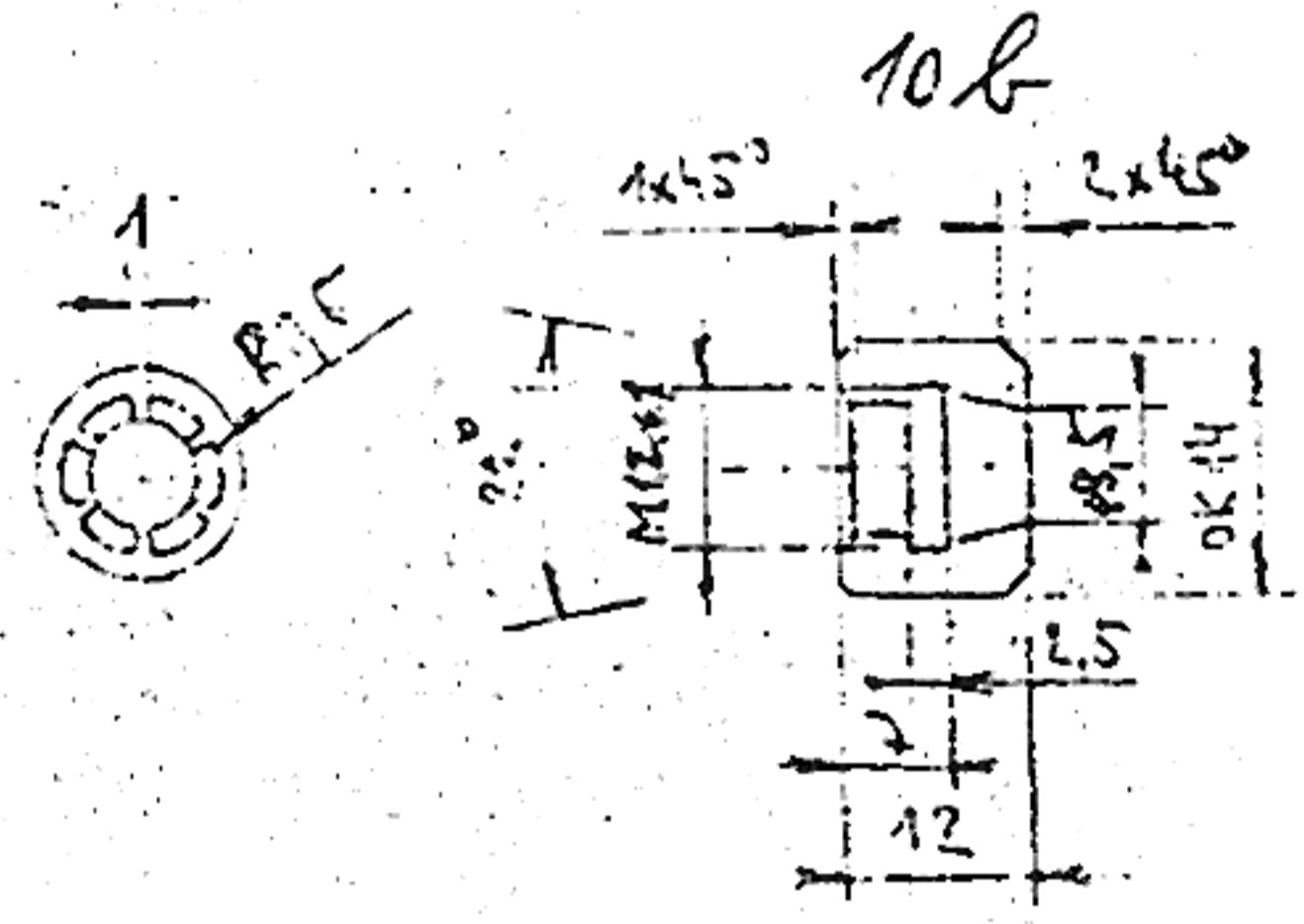
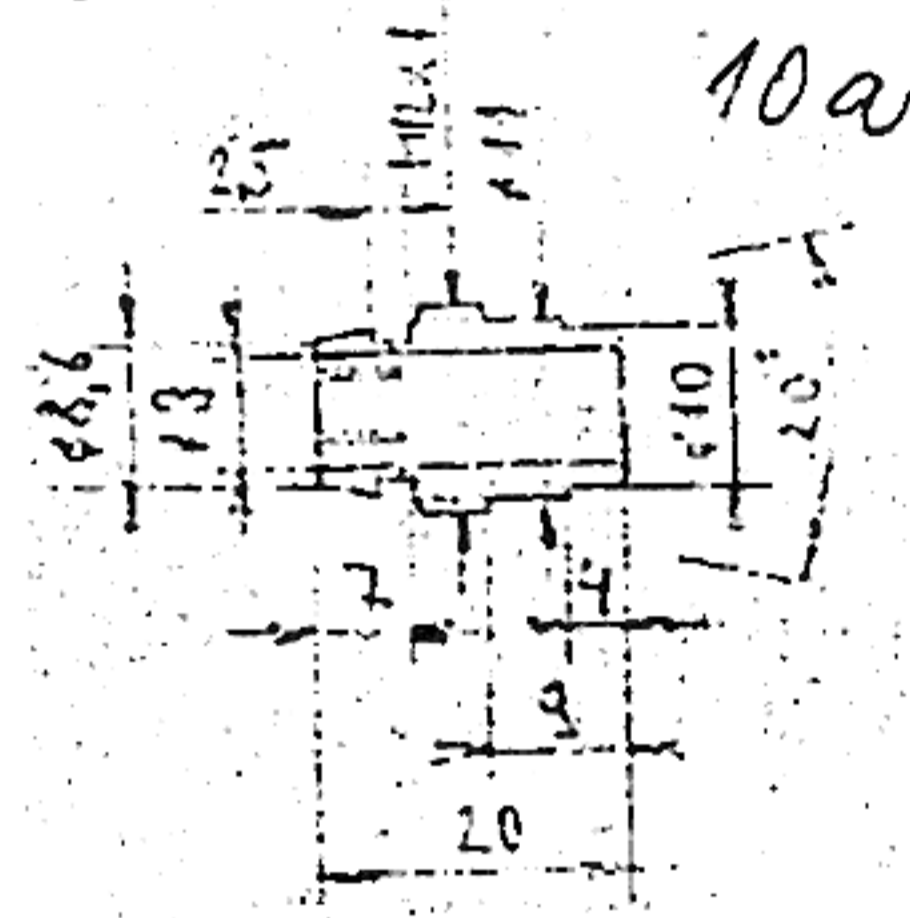
BETTER COPPER COOLING FIBS
MUCH BETTER WARMUP STABILITY OF
RF POWER DURING TX PERIOD. !



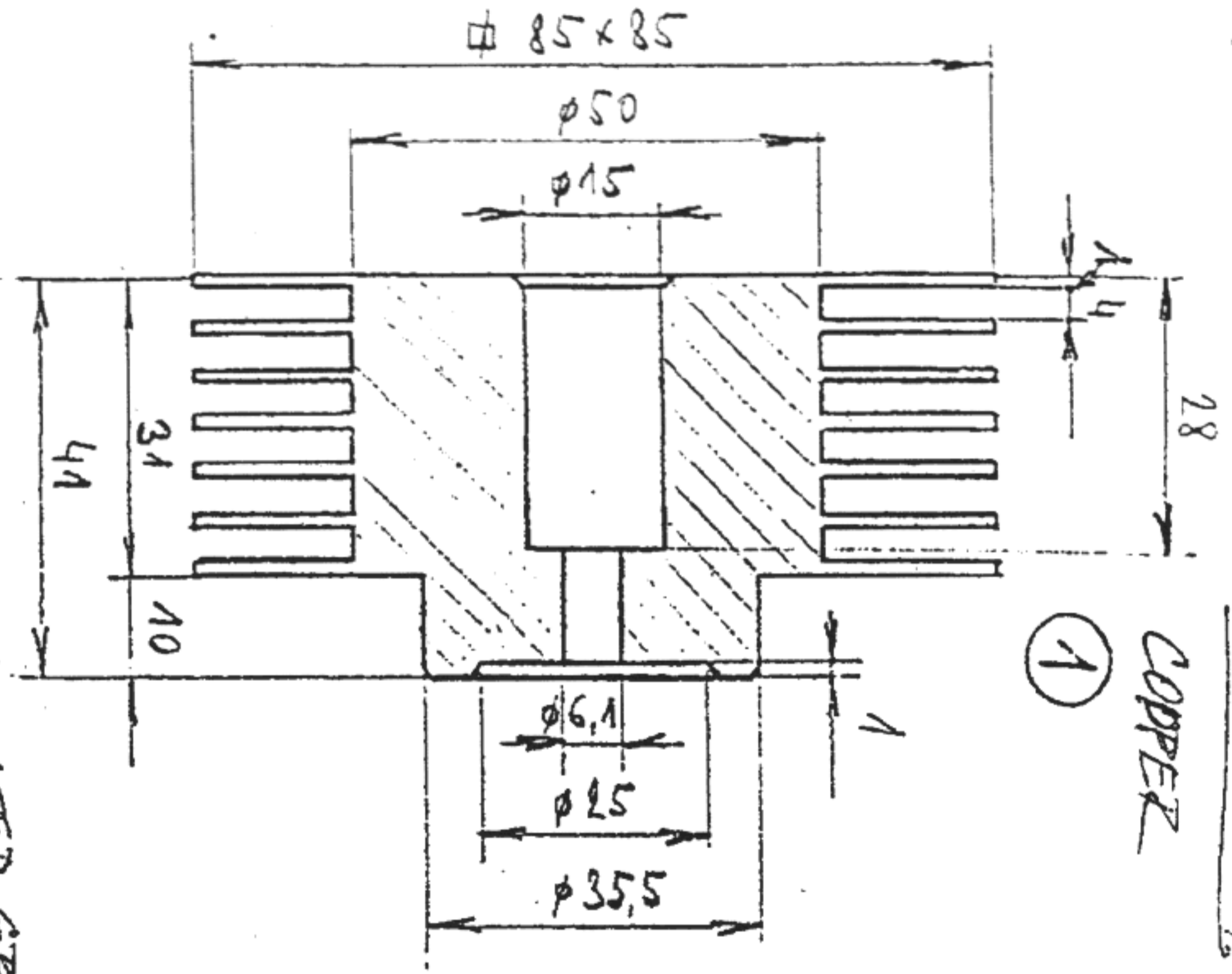
TUNING RODS
OF CATHODE CIRCUIT



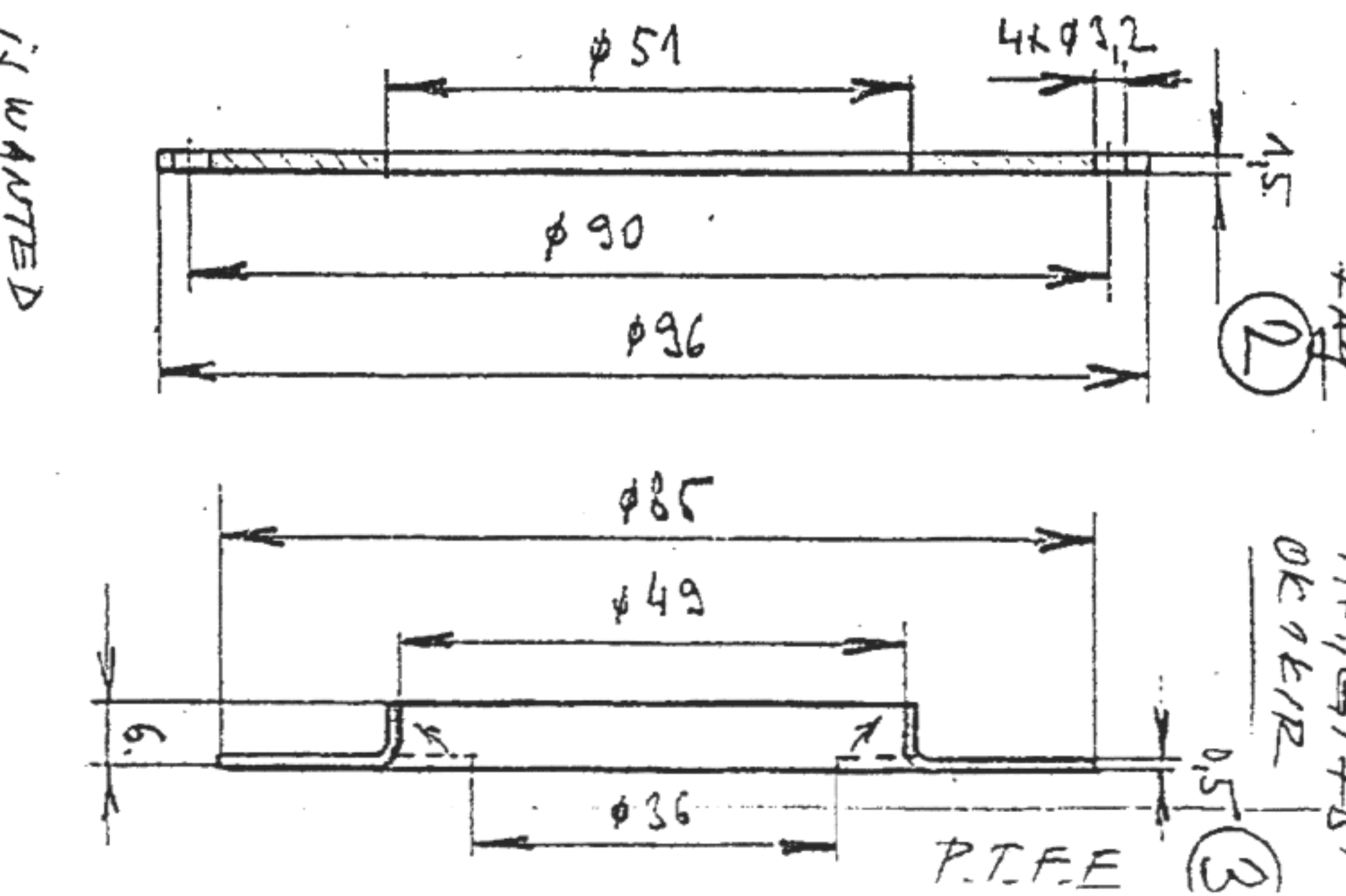
10g Copper
COUPLING STRIP
FOR CATHODE



ORACIK
23044 PA
(PARTS FROM
DEVELOPMENT A&E)



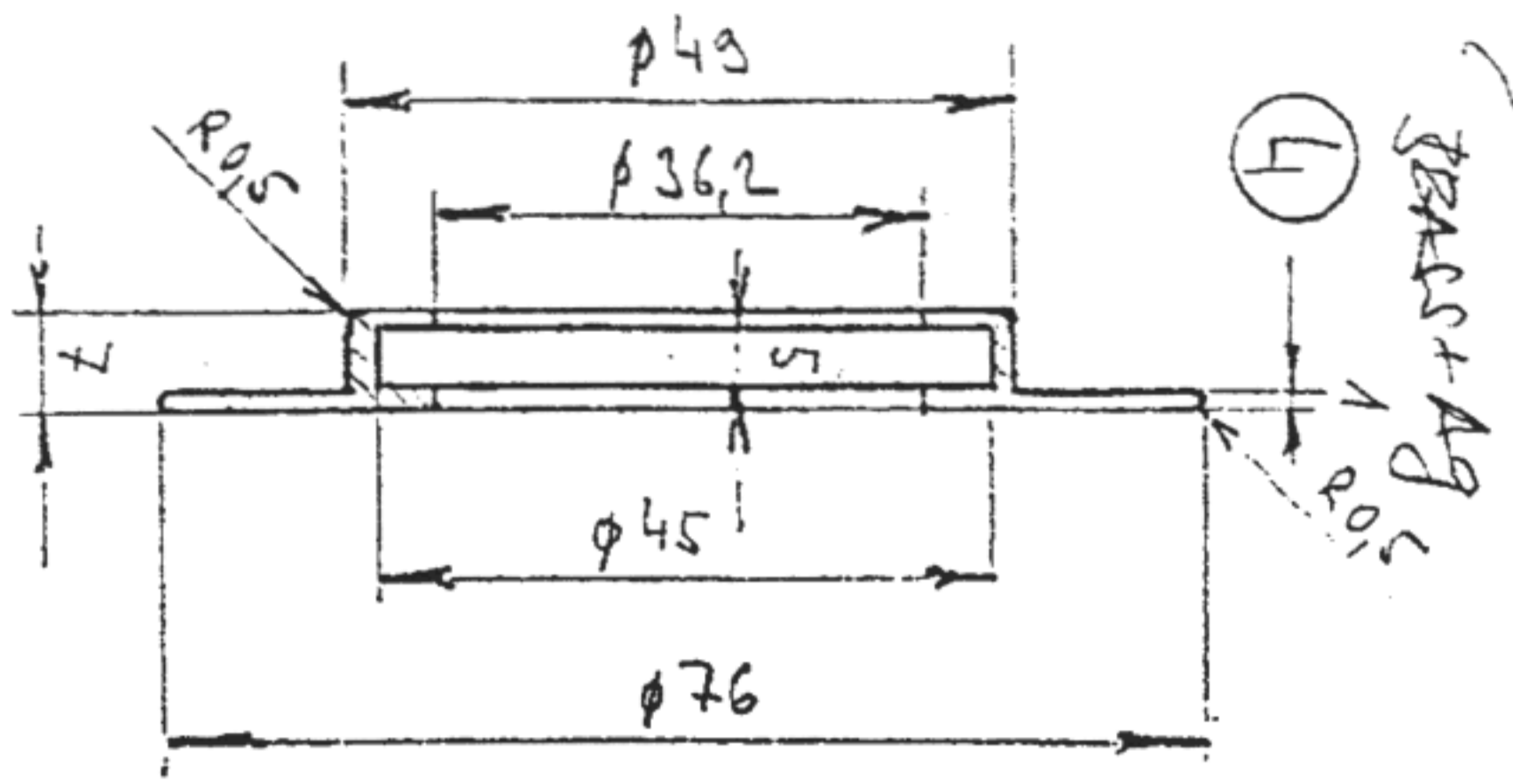
1 COPPER



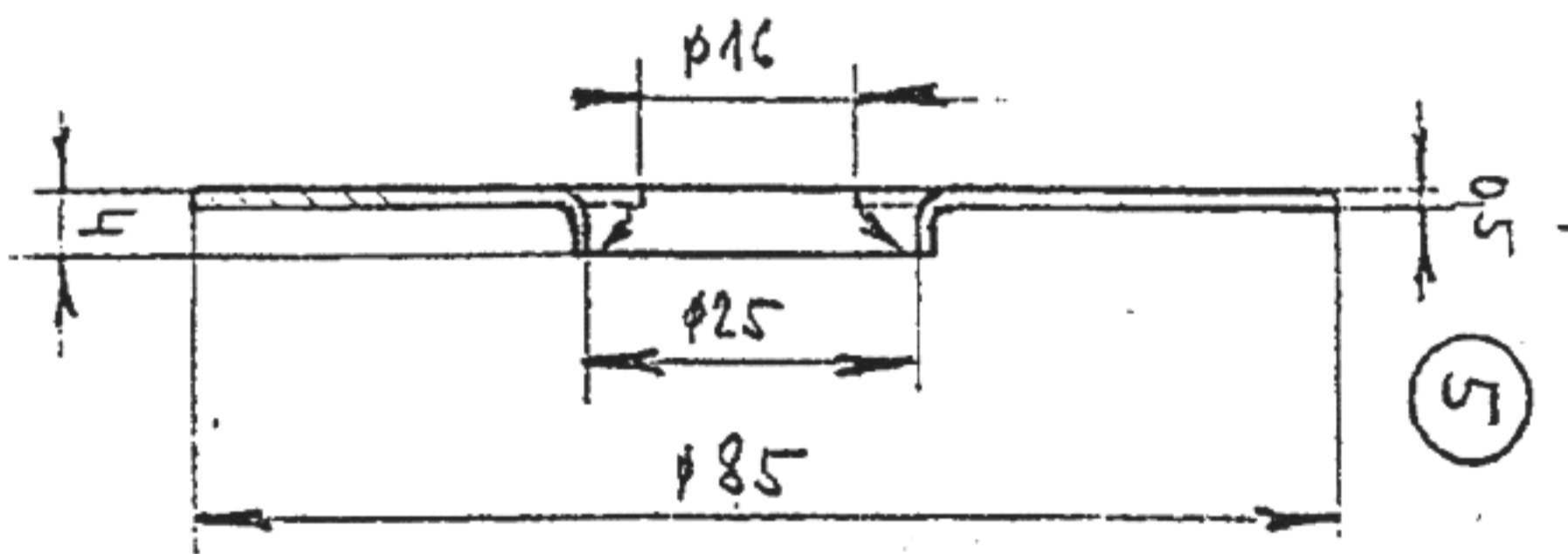
2 BRASS + Ag

3 P.T.F.E

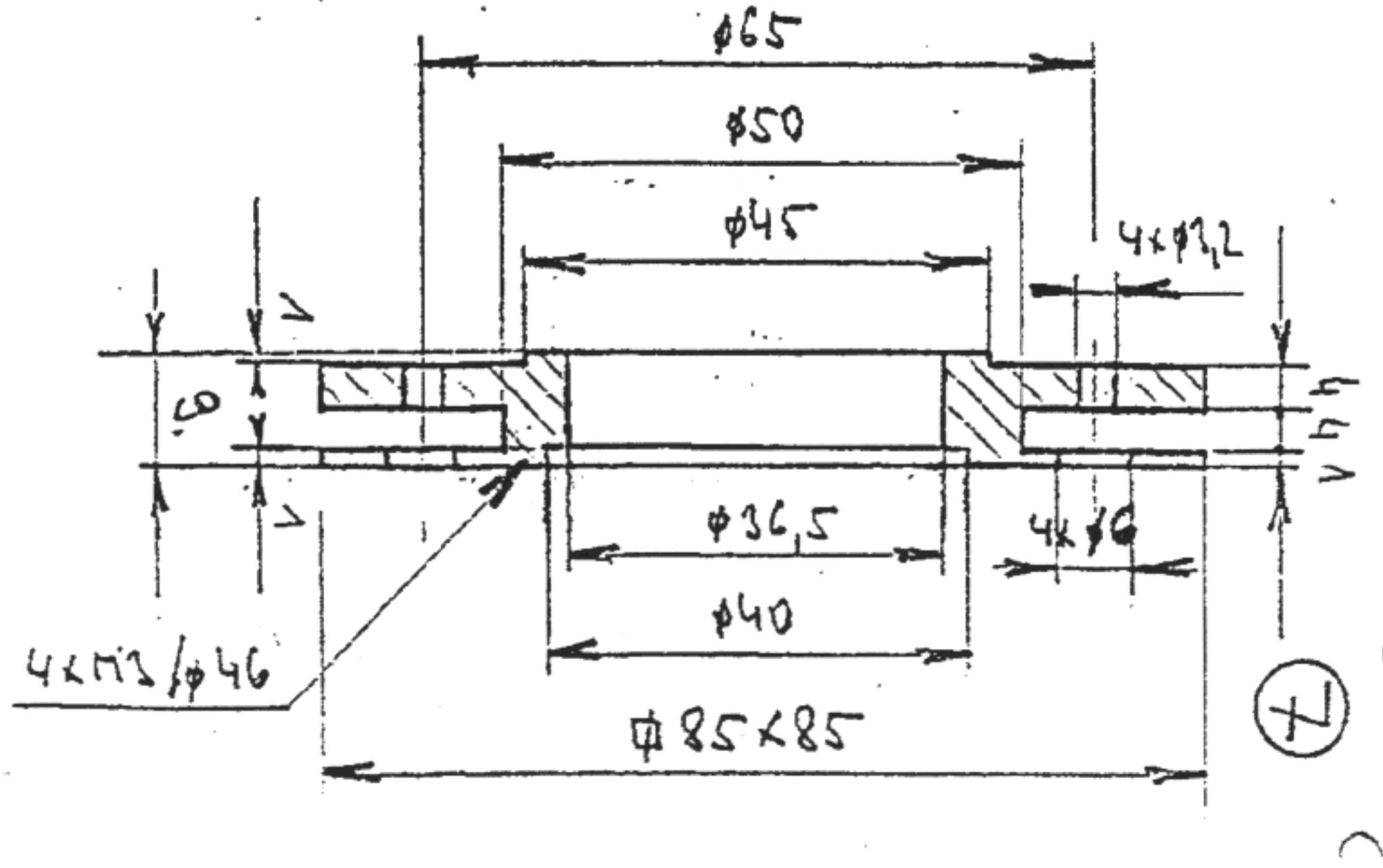
LAST 2504 PA, GIBBY OR 9E1R



4 BRASS + Ag

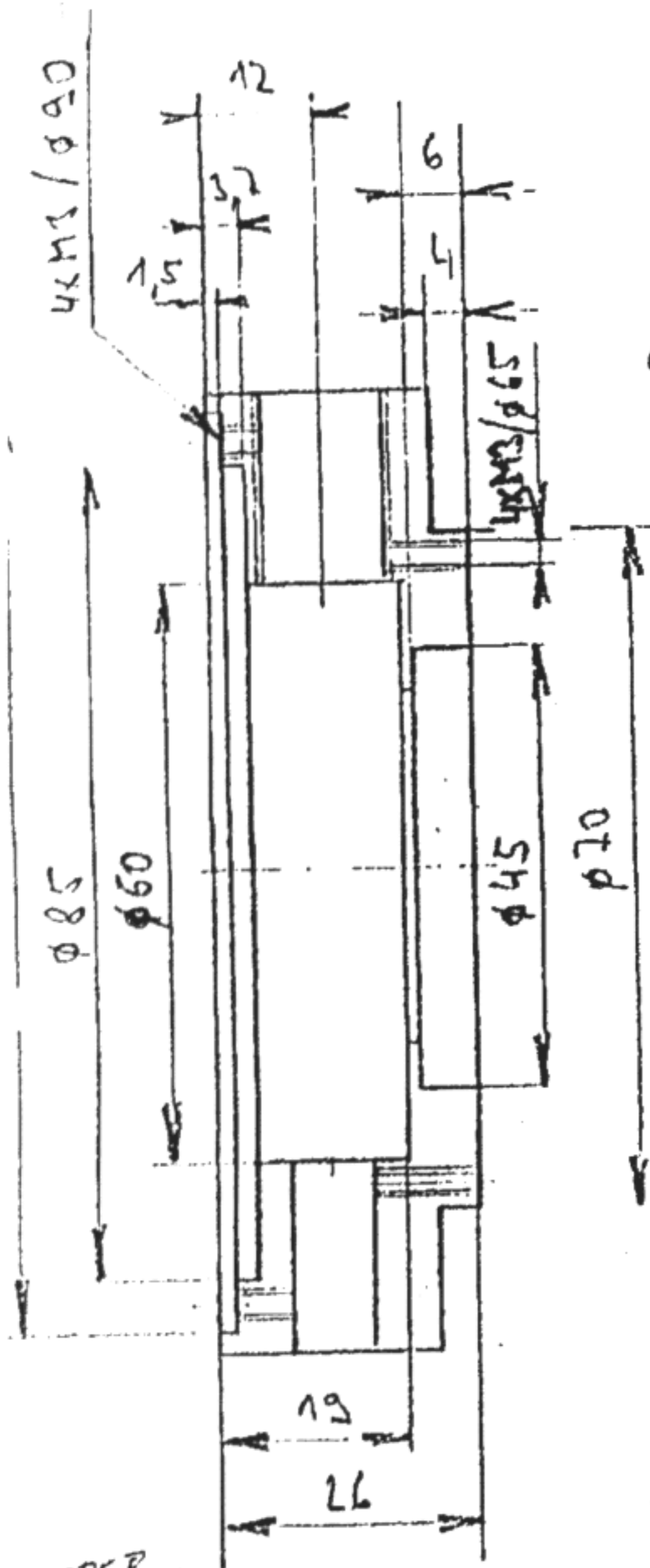


5 P.T.F.E



7 BRASS + Ag

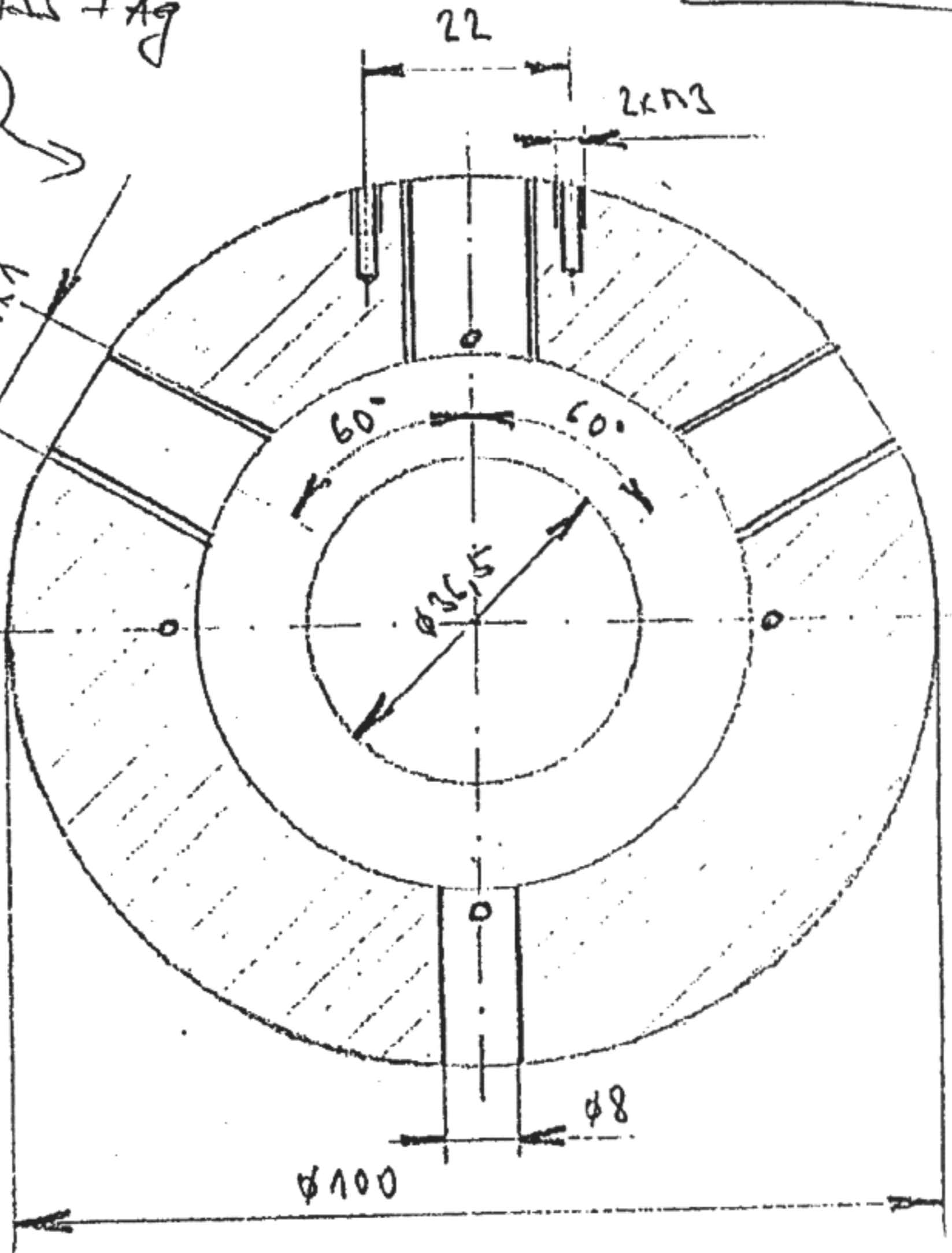
USED ONLY IF ISOLATED GRID IS WANTED



BRASS + Ag

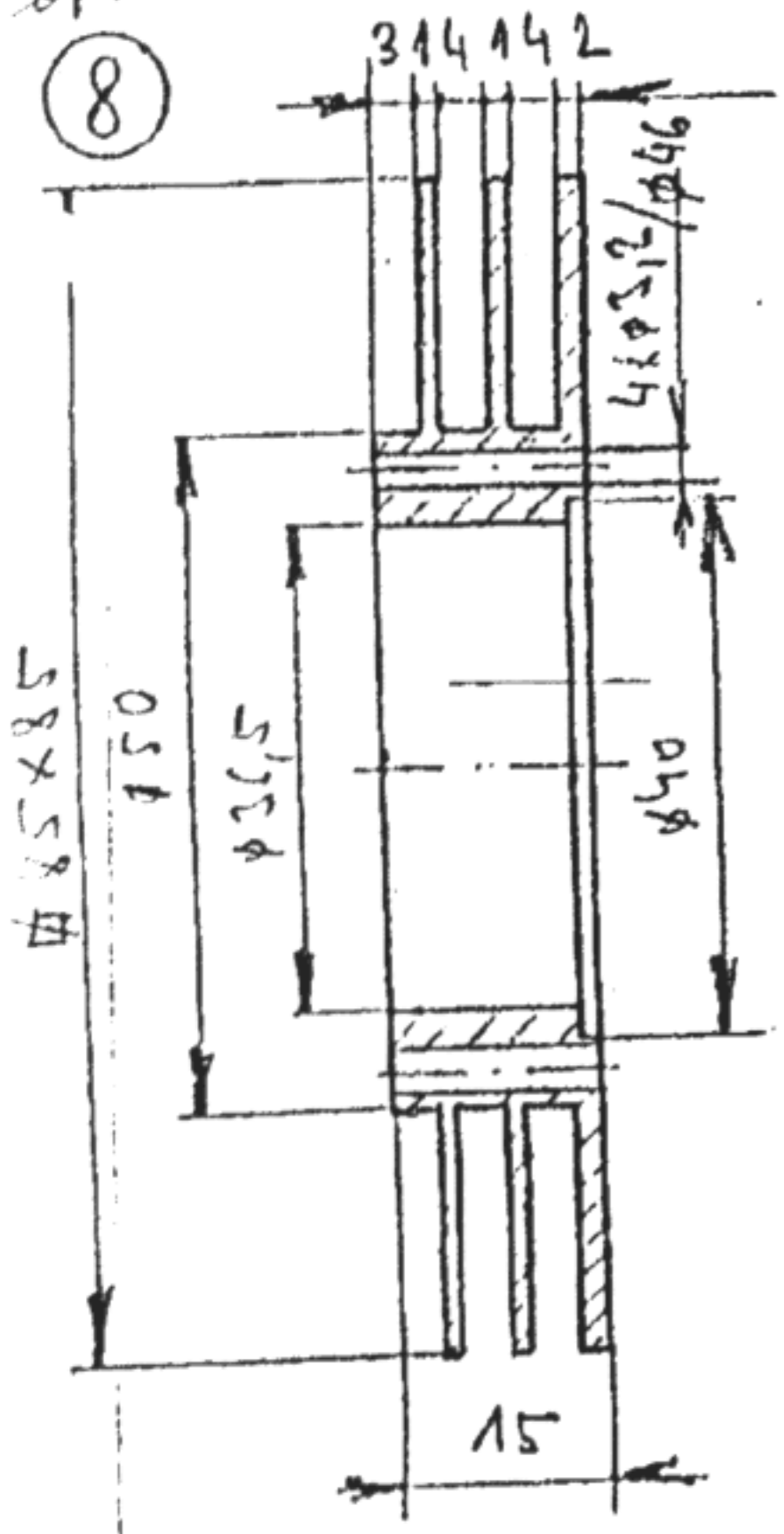
6

3x14x1



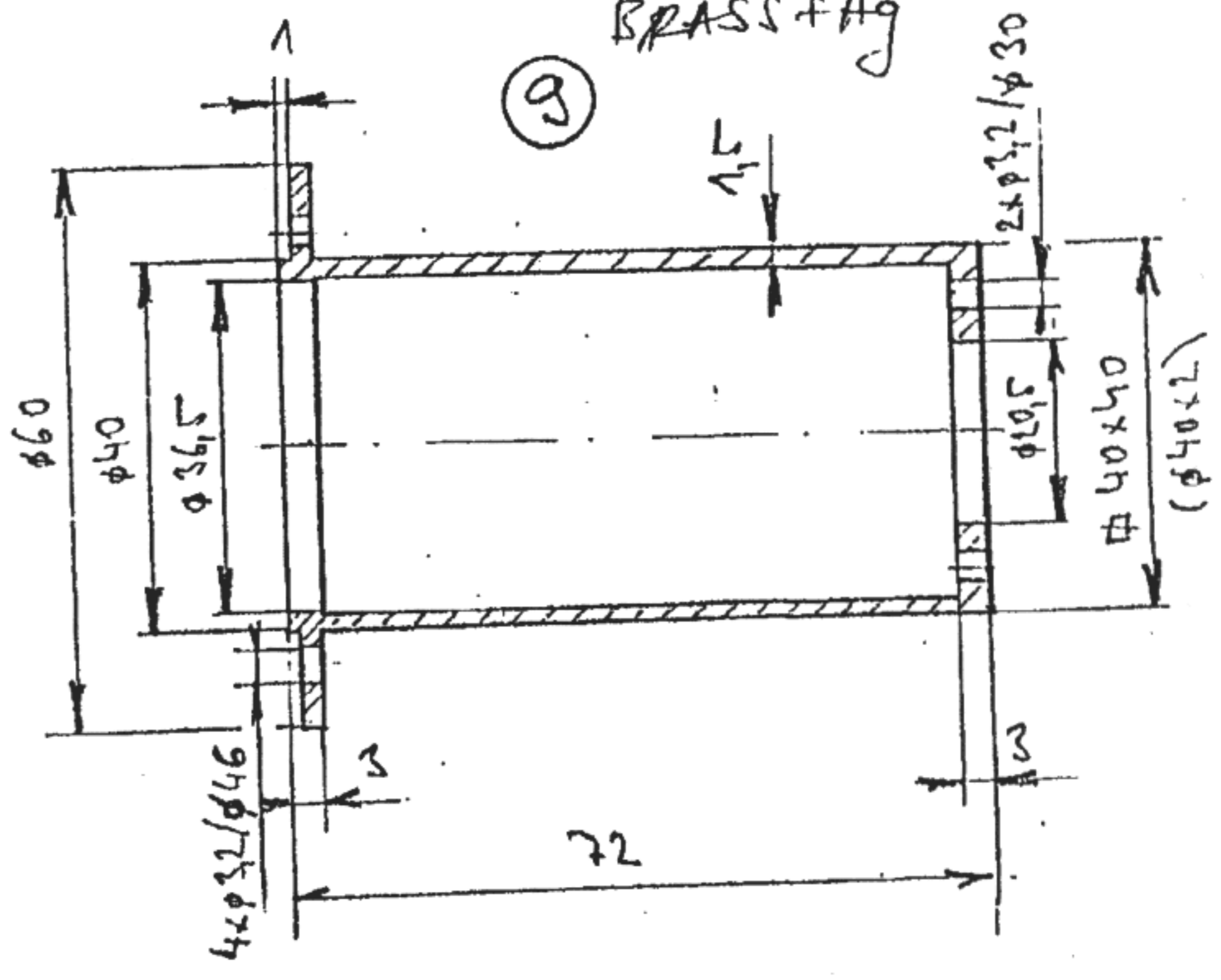
OPTER

8



BRASS + Ag

9



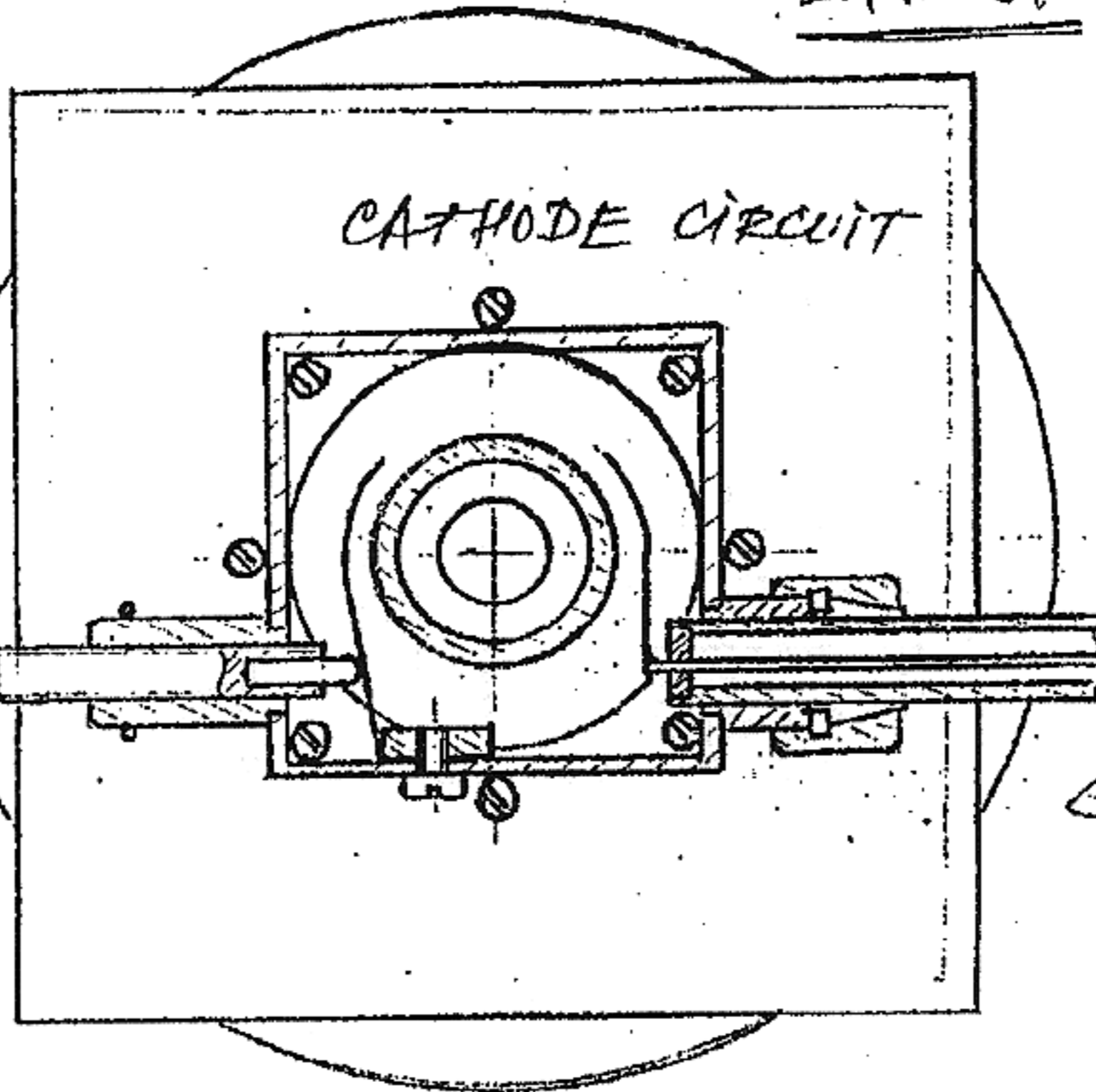
OK 1K1R

LAST 2304
PA, G17B"

LATEST VERSION WITH
SQUARE CROSS-
SECTION

CATHODE CIRCUIT

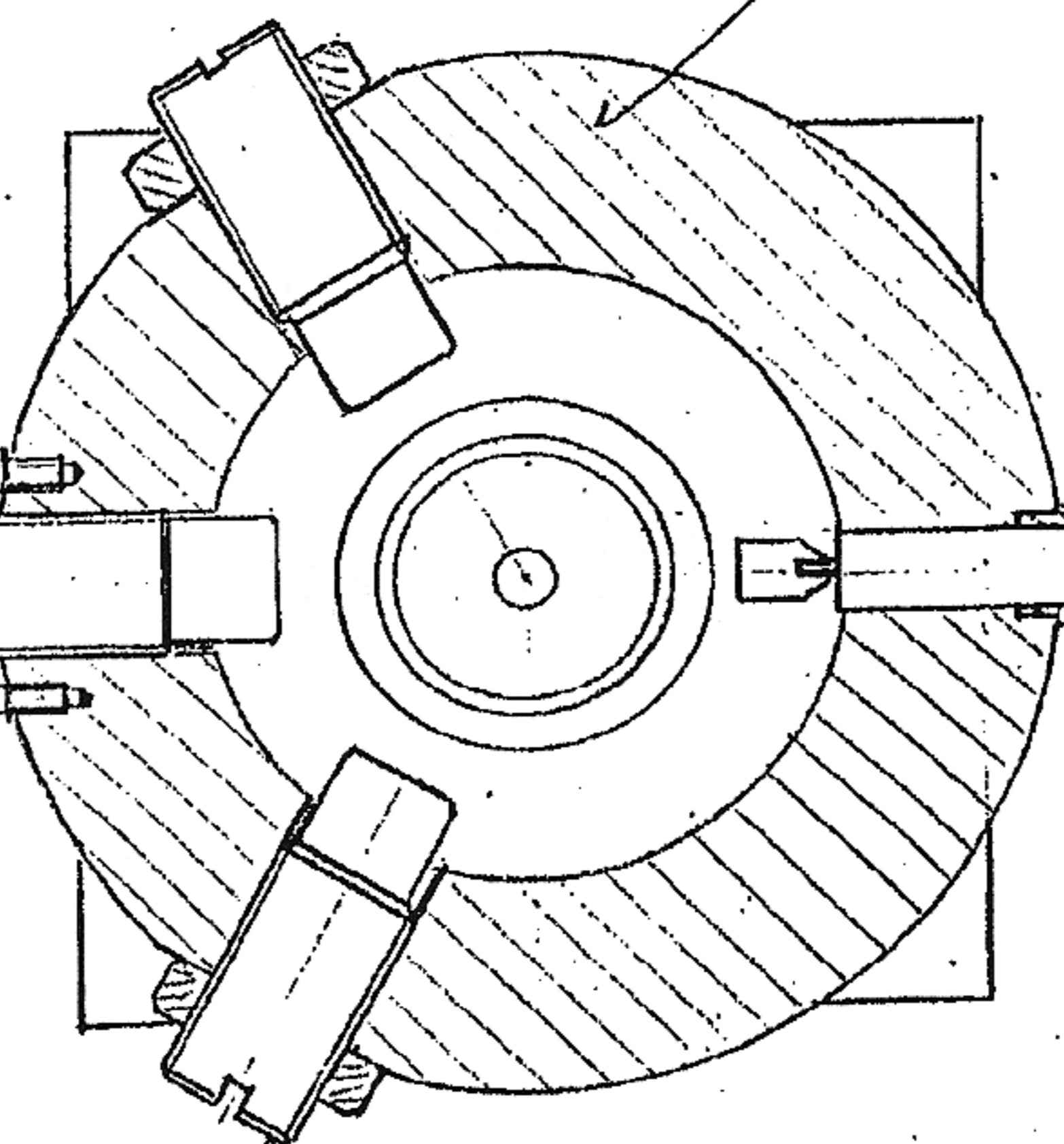
B-B
KNOBS CONTROLLED
TUNING OF CATHODE



INPUT
CHANGE OF THE
INPUT COUPLING

ANODE CIRCUIT

A-A
KNOBS CONTROLLED
OUTPUT TUNING



OUTPUT
CHANGE OF THE
OUTPUT COUPLING

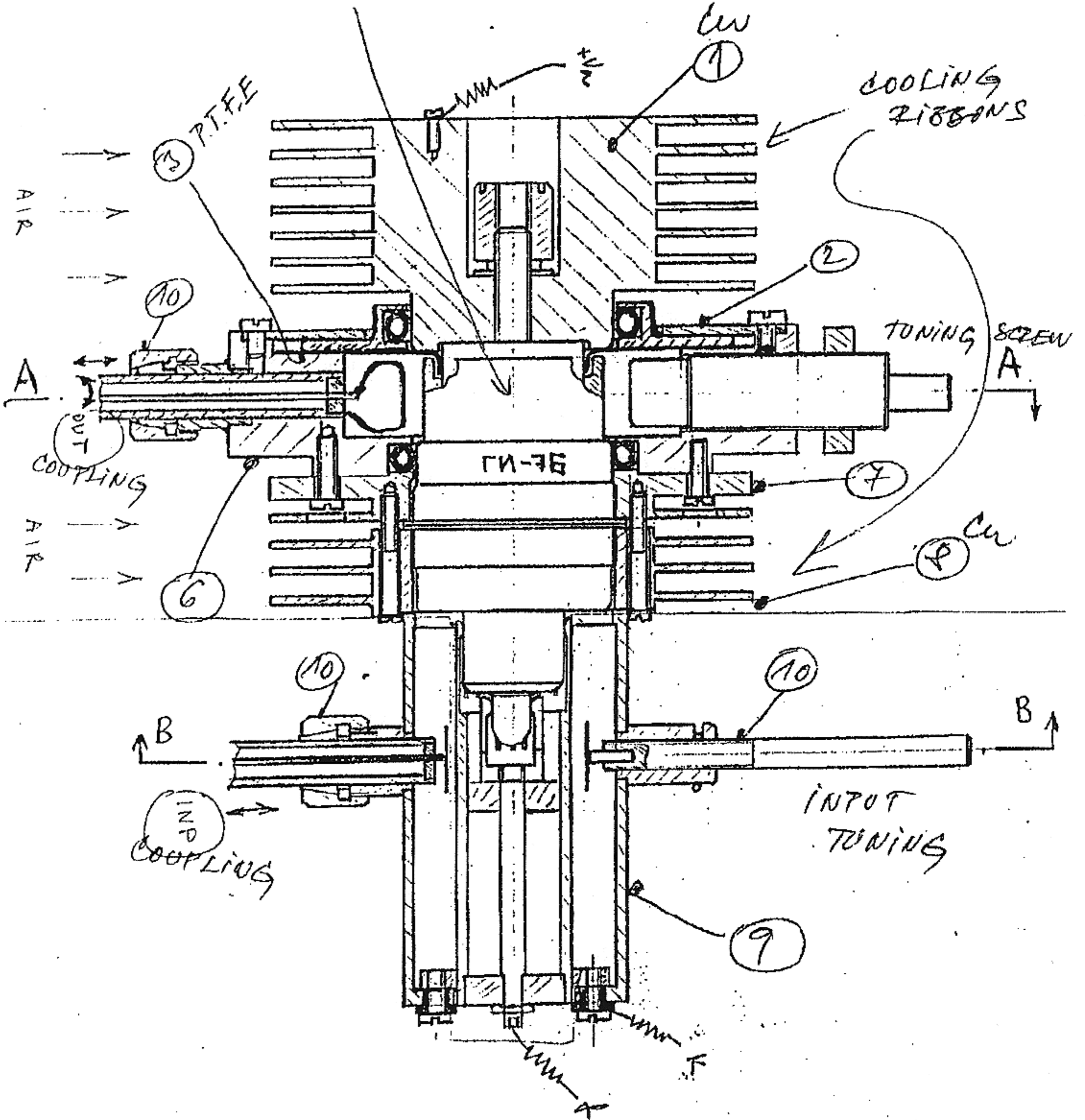
RESET SCREWS

OK KIR

LAST 2Jcm

PA "GIBBY"

ORIGINAL PARTS OF TUBE



SCALE 1:1